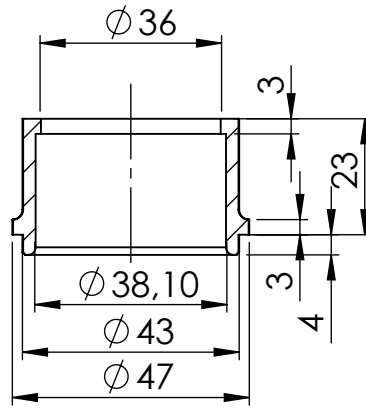
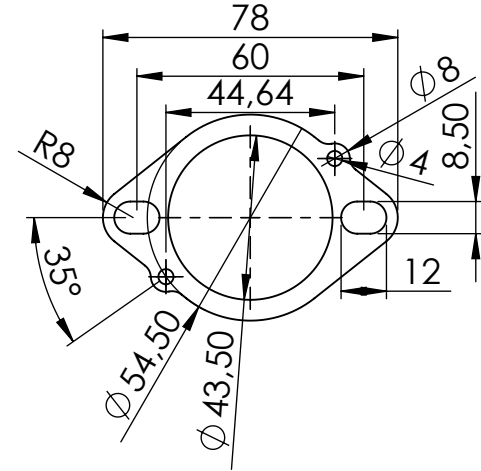


**BUSHER STAINLESS S.
COD.204870**



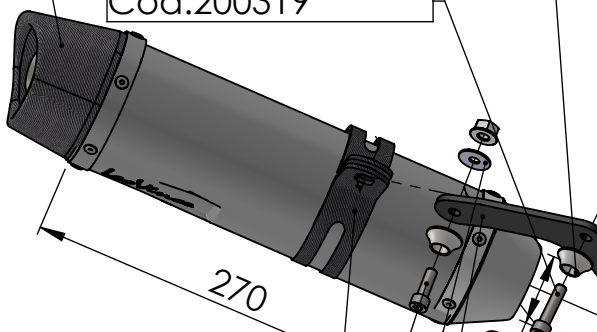
**FLANGE STAINLESS S.
COD.204448**



LV one evo Stainless s.
Øi 50 RHS
Cod.3014228482

N°2 Aluminium spacer
Ø 27x8,5x11
Cod. 204321

Allen screw M8X35
T.C.Z.B.
Cod.200319



Carbon bracket FM4S
Cod.307572505

Allen screw M8X25
T.C.Z.B.
Cod.200314

Plain washer 8x24
Cod.200321

Stainless s. bracket
Prod. Cod.3014228501
Purch. Cod.206419

N°3 Aisi 304
stainless steel flange
Cod.204448

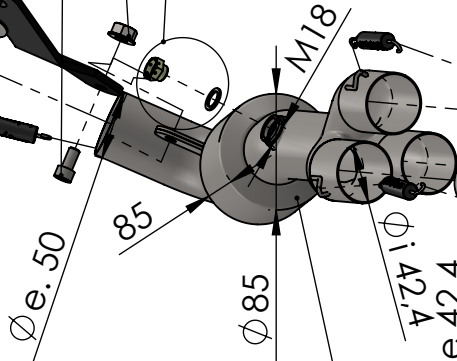
N°3 Stainless Steel
Busher 38,1X36X27
Cod.204870

Allen screw M8X16
T.C.Z.B.
Cod.200360

N°3 Knurled collar nut M8
Cod.200298

Pipe N°2
Cod.3014032202

OPTIONAL
cod.5682



Pipe N°1
Cod.3014032201

Pipe N°3
Cod.3014032203

Pipe 3/1
Cod.3014228205

N°7 Short helical spring
tensile
Cod.303949001

ART. 14228E

YAMAHA MT09/SP - MT09 TRACER/GT (Fit also with centre stand) - XSR900

FULL SYSTEM 3/1 - LV ONE EVO -STAINLESS S.-